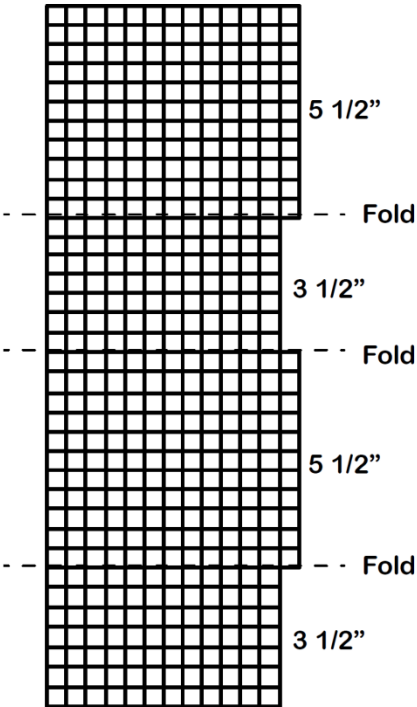


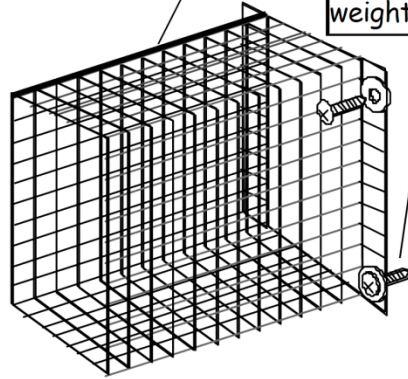
# Nest Box Predator Guards

## Cat/Raccoon Guard

6 1/2"



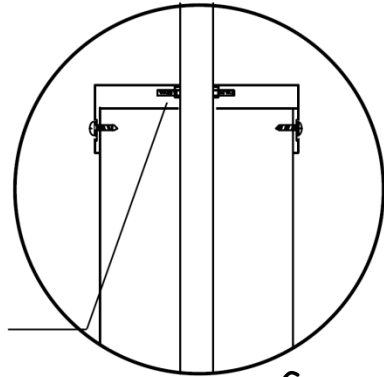
- Bend guard into shape
- Lace edges together along corner using light-weight tie wire.



Attach to box with 4 #8 x 1/2" Sheet Metal Screws, and 4 #10 washers.

**MAKE SURE THE ENTRY HOLE IS NOT OBSTRUCTED**

- Drill 1/4" hole through pole 4 inches below nest box.
- Put 3" long 1/4" bolt (with head cut off) through hole, and secure with a nut on each side.
- Suspend Snake Guard on this bolt. (It should wobble- keeps the critters off.)



Ground Level

## Snake Guard

1 1/2'

### Materials

#### Raccoon Guard:

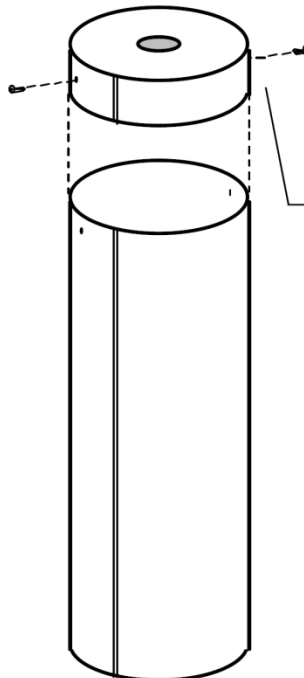
- 1/2" Vinyl Coated Hardware Cloth (6 1/2" x 18")
- Tie Wire (10")
- 4 - #8 x 1/2" Sheet Metal Screws
- 4 - #10 Flat Washers

#### Snake Guard:

- 6" x 24" Round Duct
- 6" Round Duct Cap
- 2 - #8 x 1/2" Sheet Metal Screws

#### Mounting Pole:

- 1" EMT Metal Electric Conduit (7 1/2' Long) Bury in ground 1 1/2'.



- Cut 1 1/4" hole in center of Round Duct Cap. (The hole must only be slightly larger than mounting pole. A small snake can slip through a 1/2" gap.)
- Slide Duct Cap over top of the Round Duct section.
- Drill a pilot hole through each side of the Duct Cap and Round Duct, and secure the Cap to the Duct with two #8 x 1/2" Sheet Metal Screws.

Mount the nest box so entry hole is about 5' from the ground.