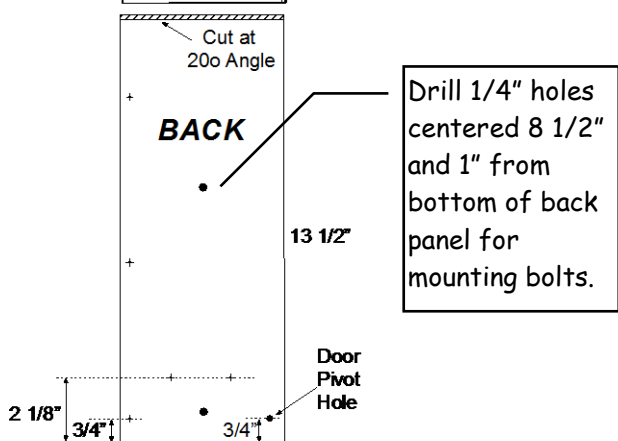


IMPORTANT
Trim 1/8"
from this edge

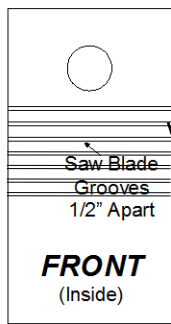
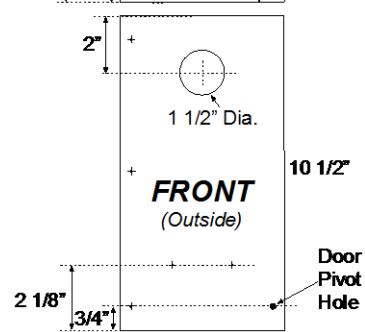
The Carl Little Bluebird Box

- Venting on both sides and across front
- Sloped roof to shed rain
- Large overhanging roof to shade box
- Full swing down opening side for ease of monitoring and clean out
- Screw fastener on side panel for secure closure
- Seven interior grooves for fledgling exit ladder
- Four corner floor drains

View with door open

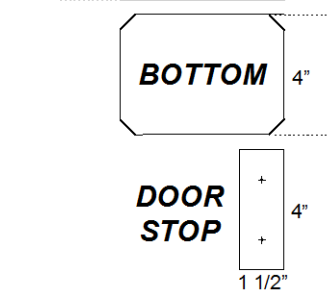


Drill 1/4" holes centered 8 1/2" and 1" from bottom of back panel for mounting bolts.

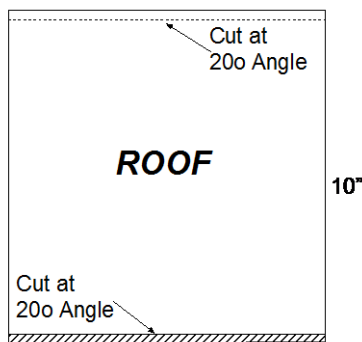


Exterior Painting
The exterior of the nest box may be painted with water-based light colored paint or sealant to extend the life of the box.

Fledgling Ladder



Edge View of Roof



Materials

- 5' - Standard Nominal 1"x 6" Board
- 1' - Standard Nominal 1"x 10" Board (or 2" x 10" Board for a better insulated roof and less warping)
- 19 - Galvanized Deck Screws #8 x 1 3/8"

