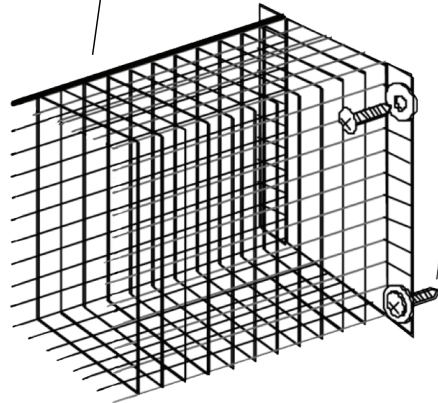
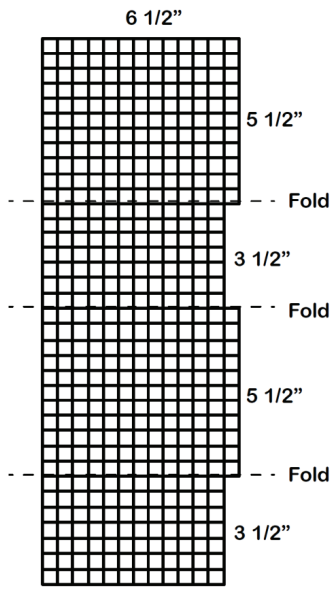
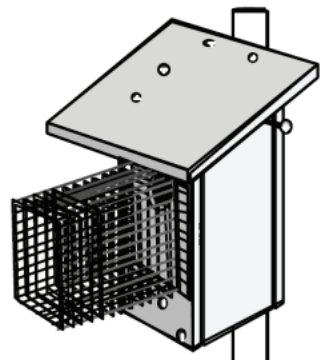


Cat/Raccoon Guard

- Bend guard into shape.
- Lace edges together along corner using light-weight tie wire.
- Cut off the edge to make prongs and bend outward.



- Attach to box with 4 #8 x 1/2" Sheet Metal Screws, and 4 #10 washers.
- MAKE SURE THE ENTRY HOLE IS NOT OBSTRUCTED**



Drill 1/4" Holes at 2" and 15" Down From Top of Pole.

Materials

Raccoon Guard:

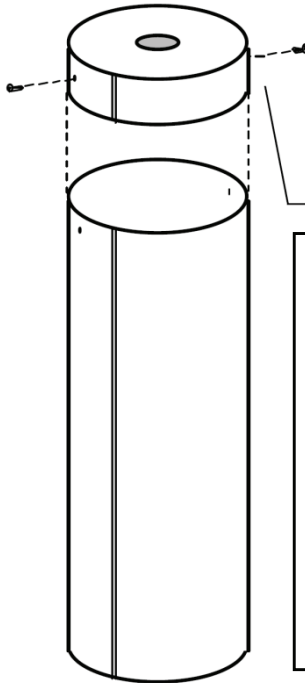
- 1/2" Vinyl Coated Hardware Cloth (6 1/2" x 18")
- Tie Wire (10")
- 4 - #8 x 1/2" Sheet Metal Screws
- 4 - #10 Flat Washers

Snake Guard:

- 8"x24" Round Duct
- 8" Round Duct Cap
- 2 - #8 x 1/2" Sheet Metal Screws
- 1/4" x 3" Bolt

Mounting Pole:

- 1/4" x 2 1/2" Carriage Bolt With Nut and Washer
- 1" EMT Conduit (7 1/2" Long) Bury in ground 1 1/2'.
- 1" EMT One-Hole Strap



Snake Guard

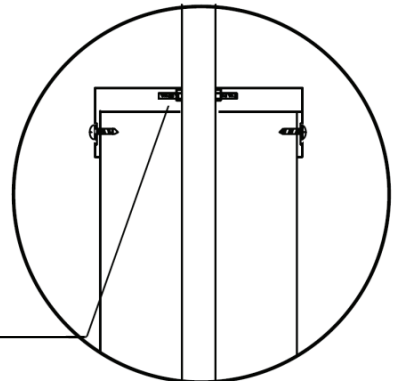
- Cut 1 1/4" hole in center of Cap.
- Slide Cap over top of the Duct section.
- Drill a pilot hole through each side of the Cap and Duct, and secure the Cap to the Duct with two #8x1/2" Sheet Metal Screws.



6'

Suspending the Snake Guard

- 1/4" x 3" bolt through hole 15" down from the top of the pole.
- Center the bolt and place nuts on both sides.
- Suspend the snake guard on this bolt. It should wobble to keep critters off.



Ground Level



1 1/2'

Nest Box Predator Guards

For the Carl Little Nest Box Design

For Additional Information: www.virginiabluebirds.org